




**Automated WardrobeLifts®**


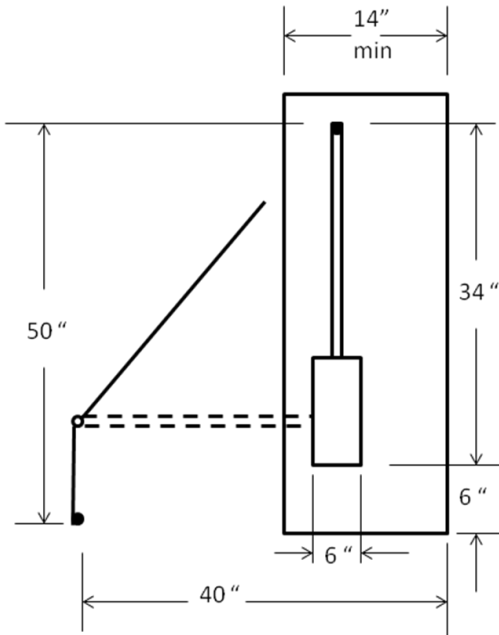
(Standard Lifts)

Model	<b>Automated WardrobeLift™</b> METAL/POLYMER Model	Photo and Drawing
<b>Wholesale Price</b>	Call 704 746 3700	
<b>Unit Length:</b>	34 inches	
<b>Unit Width:</b>	6 inches	
<b>Required Mounting Depth:</b>	Minimum 14 inch panel - mount clothes rail 10 inches to 11 inches from back wall	
<b>Lowering Ability</b>	30 inches	
<b>Mounting Width</b>	34 to 48 inches (Standard) 28 to 34 inches 25 to 28 inches	
<b>Weight Capacity:</b>	Lift Capacity is 60 pounds (Standard) Lift Capacity is 75 pounds	
<b>Colors: (includes coordinating strap color)</b>	Black base /Chrome arms (Standard) Black base/Black arms White base/ Chrome arms Grey base/.Chrome Arms	
<b>Available Materials:</b>	Metal/Polymer	
<b>Electrical:</b>	120 watts, 2 amps/ 6 foot motor cord on LEFT side of motor tube with plug. Motor tube mounts behind the clothes rail. <b>International clients only:</b> 230/240v motors available (\$20 upcharge ea.) <i>available for inside mounting dimensions greater than 29"</i>	
<b>Drive Type:</b>	Motor tube with lifting straps	
<b>Accessories:</b>	Chrome, clothes pole included (1 1/16" diameter) <b>Other finishes may be available</b>	
<b>Installation:</b>	The motor tube must be cut to length by the installer OR can be cut at the factory with right hand lifting strap installed for an additional fee.	
<b>Finish:</b>	Motor tube is aluminum and can be painted to match the closet if no enclosure is created. A polished, chrome finish can be created for an additional fee.	
<b>Enclosure:</b>	A simple enclosure for the motor tube can be created if desired. Plans provided if requested.	
<b>Hinge Clearance</b>	7/8 inch	
<b>Switch Type</b>	Wireless, Wall Switch (radio frequency control is Standard) Dry Contacts for a low voltage switch or Home automation integration are available for an additional fee.	
<b>Lead Time:</b>	One week	
<b>Warranty:</b>	3 years parts and labor	




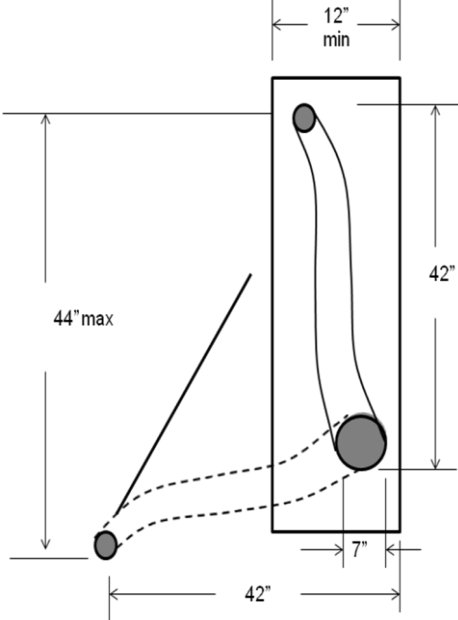
**STORAGEMOTION** INC.

**Automated WardrobeLifts-XL®** (Extended Lifts)

Model	<b>Automated WardrobeLift XL</b> METAL/POLYMER Model	<b>Photo and Drawing</b>
<b>Wholesale Price</b>	Call 704 746 3700	
<b>Unit Height:</b>	34 inches	
<b>Unit Width:</b>	6 inches	
<b>Required Mounting Depth:</b>	Minimum 14 inch panel - mount clothes rail 10 inches to 11 inches from back wall	
<b>Lowering Ability</b>	50+ inches	
<b>Mounting Width</b>	XL-48 is 29 inches to 48 inches XL -36 is 28 inches to 36 inches	
<b>Weight Capacity:</b>	XL-36 Lift Capacity is 45 pounds ( <i>upgrade to 75lbs</i> ) XL-48 Lift Capacity is 70 pounds	
<b>Colors:</b>	Black base /Chrome arms (Standard) Black base/Black arms White base/ Chrome arms Grey base/.Chrome Arms	
<b>Available Materials:</b>	Metal/Polymer	
<b>Hinge Clearance</b>	7/8 inch	
<b>Electrical:</b>	120 watts/2 amps/110v; 6' motor cord- LEFT side with plug. Motor tube mounts behind the clothes rail. <b>International clients only:</b> 230/240v motors available (\$20 upcharge ea.) <i>available for inside mounting dimensions greater than 29" only</i>	
<b>Drive Type:</b>	Motor tube with lifting straps.	
<b>Accessories:</b>	Chrome, clothes pole included (1 1/16" diameter) <b>Other finishes may be available</b>	
<b>Installation:</b>	The clothes pole and the motor tube must be cut to length by the installer OR can be cut at the factory with right hand lifting strap installed for an additional fee.	
<b>Finish:</b>	Motor tube is aluminum and should be painted to match the closet if no enclosure is created. A polished, chrome finish is available for an additional fee.	
<b>Enclosure:</b>	A simple enclosure for the motor tube can be created if desired. Plans provided if requested.	
<b>Switch Type</b>	Wireless, Wall Switch (radio frequency control is standard) Dry Contacts for low voltage switch or Home automation integration are available for an additional fee.	
<b>Warranty:</b>	3 years parts and labor	

**Automated WardrobeLifts®**

(Wood/MDF Lifts)

Model	<b>Automated WardrobeLift™</b> WOOD Model	<b>Photo and Drawing</b>
<b>Wholesale Price</b>	Call 704 746 3700	
<b>Unit Length:</b>	42 inches	
<b>Unit Width:</b>	7 inches	
<b>Required Mounting Depth:</b>	Minimum 12 inch panel - mount clothes rail 10 inches to 11 inches from back wall	
<b>Lowering Ability</b>	44 inches	
<b>Mounting Width</b>	29 inches to 48 inches 25 to 29 inches (\$100 upcharge)	
<b>Weight Capacity:</b>	Lift Capacity is 75 pounds	
<b>Colors</b>	Unfinished MDF	
<b>Available Materials:</b>	Unfinished MDF Or Real Wood Veneer	
<b>Hinge Clearance</b>	1 inch	
<b>Electrical:</b>	120 watts, 2 amps/ 6 foot motor cord on LEFT side with plug. Motor tube is located behind the clothes rail <b>International clients only:</b> 230/240v motors available (\$20 upcharge ea.) <i>available for inside mounting dimensions greater than 29" only</i>	
<b>Drive Type:</b>	Motor tube with lifting straps	
<b>Accessories:</b>	1 5/16 chrome clothes rail included other finishes available	
<b>Installation:</b>	The motor tube must be cut to length by the installer OR cut at the factory with right hand lifting strap installed for an additional fee	
<b>Finish:</b>	Motor tube is aluminum and should be painted to match the closet if no enclosure is created. A polished, chrome finish is also available.	
<b>Switch Type</b>	Wireless, Wall Switch (radio frequency control) Dry Contacts for low voltage switch or Home automation integration	
<b>Motor Enclosure:</b>	A simple enclosure for the motor tube can be created if desired. Plans provided if requested	
<b>Warranty:</b>	3 years parts and labor	
<b>Lead Time:</b>	2 weeks	