




Automated WardrobeLifts®


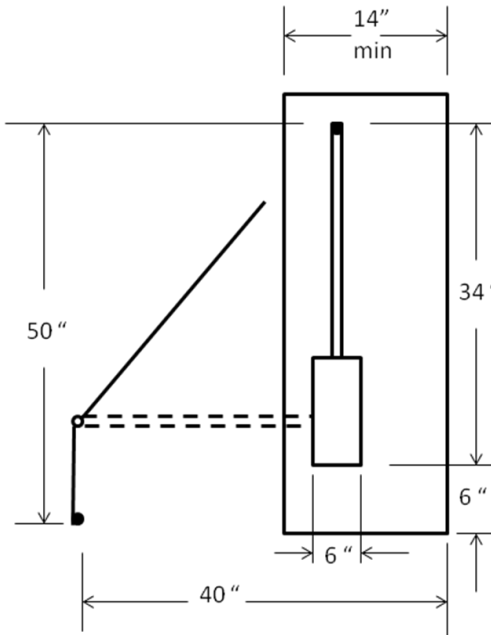
(Standard Lifts)

Model	Automated WardrobeLift™ METAL/POLYMER Model	Photo and Drawing
Wholesale Price	Call 704 746 3700	
Unit Length:	34 inches	
Unit Width:	6 inches	
Required Mounting Depth:	Minimum 14 inch panel - mount clothes rail 10 inches to 11 inches from back wall	
Lowering Ability	30 inches	
Mounting Width	34 to 48 inches (Standard) 28 to 34 inches (Standard) 25 to 28 inches (Custom Size)	
Weight Capacity:	Lift Capacity is 60 pounds (Standard) Lift Capacity is 75 pounds	
Colors: (includes coordinating strap color)	Black base /Chrome arms (Standard) Black base/Black arms White base/ Chrome arms Grey base/.Chrome Arms	
Available Materials:	Metal/Polymer	
Electrical:	120 watts, 2 amps/ 42 inch motor cord on LEFT side of motor tube with plug. Motor tube mounts behind the clothes rail. International clients only: 230/240v motors available (\$20 upcharge ea.) <i>available for inside mounting dimensions greater than 29"</i>	
Drive Type:	Motor tube with lifting straps	
Accessories:	Chrome, clothes pole included (1 1/16" diameter) Other finishes may be available`	
Installation:	The motor tube must be cut to length by the installer OR can be cut at the factory with right hand lifting strap installed for an additional fee.	
Finish:	Motor tube is aluminum and can be painted to match the closet if no enclosure is created. A polished, chrome finish can be created for an additional fee.	
Enclosure:	A simple enclosure for the motor tube can be created if desired. Plans provided if requested.	
Hinge Clearance	7/8 inch	
Switch Type	Wireless, Wall Switch (radio frequency control is Standard) Dry Contacts for a low voltage switch or Home automation integration are available for an additional fee.	
Lead Time:	One week	
Warranty:	3 years parts and labor	




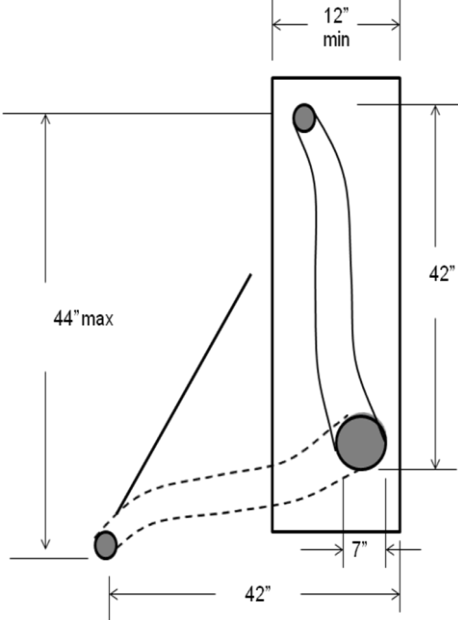
STORAGEMOTION INC.

Automated WardrobeLifts-XL® (Extended Lifts)

Model	Automated WardrobeLift XL METAL/POLYMER Model	Photo and Drawing
Wholesale Price	Call 704 746 3700	
Unit Height:	34 inches	
Unit Width:	6 inches	
Required Mounting Depth:	Minimum 14 inch panel - mount clothes rail 10 inches to 11 inches from back wall	
Lowering Ability	50+ inches	
Mounting Width	XL-48 is 29 inches to 48 inches XL -36 is 28 inches to 36 inches	
Weight Capacity:	XL-36 Lift Capacity is 45 pounds (<i>upgrade to 75lbs</i>) XL-48 Lift Capacity is 70 pounds	
Colors:	Black base /Chrome arms (Standard) Black base/Black arms White base/ Chrome arms Grey base/.Chrome Arms	
Available Materials:	Metal/Polymer	
Hinge Clearance	7/8 inch	
Electrical:	120 watts/2 amps/110v; 42 inch motor cord- LEFT side with plug. Motor tube mounts behind the clothes rail. International clients only: 230/240v motors available (\$20 upcharge ea.) <i>available for inside mounting dimensions greater than 29" only</i>	
Drive Type:	Motor tube with lifting straps.	
Accessories:	Chrome, clothes pole included (1 1/16" diameter) Other finishes may be available	
Installation:	The clothes pole and the motor tube must be cut to length by the installer OR can be cut at the factory with right hand lifting strap installed for an additional fee.	
Finish:	Motor tube is aluminum and should be painted to match the closet if no enclosure is created. A polished, chrome finish is available for an additional fee.	
Enclosure:	A simple enclosure for the motor tube can be created if desired. Plans provided if requested.	
Switch Type	Wireless, Wall Switch (radio frequency control is standard) Dry Contacts for low voltage switch or Home automation integration are available for an additional fee.	
Warranty:	3 years parts and labor	

Automated WardrobeLifts®

(Wood/MDF Lifts)

Model	Automated WardrobeLift™ WOOD Model	Photo and Drawing
Wholesale Price	Call 704 746 3700	
Unit Length:	42 inches	
Unit Width:	7 inches	
Required Mounting Depth:	Minimum 12 inch panel - mount clothes rail 10 inches to 11 inches from back wall	
Lowering Ability	44 inches	
Mounting Width	29 inches to 48 inches (Standard) 25 to 29 inches (Custom Size)	
Weight Capacity:	Lift Capacity is 75 pounds	
Colors	Unfinished MDF	
Available Materials:	Unfinished MDF Or Real Wood Veneer	
Hinge Clearance	1 inch	
Electrical:	120 watts, 2 amps/ 42 inch motor cord on LEFT side with plug. Motor tube is located behind the clothes rail International clients only: 230/240v motors available (\$20 upcharge ea.) <i>available for inside mounting dimensions greater than 29" only</i>	
Drive Type:	Motor tube with lifting straps	
Accessories:	1 5/16 chrome clothes rail included other finishes available	
Installation:	The motor tube must be cut to length by the installer OR cut at the factory with right hand lifting strap installed for an additional fee	
Finish:	Motor tube is aluminum and should be painted to match the closet if no enclosure is created. A polished, chrome finish is also available.	
Switch Type	Wireless, Wall Switch (radio frequency control) Dry Contacts for low voltage switch or Home automation integration	
Motor Enclosure:	A simple enclosure for the motor tube can be created if desired. Plans provided if requested	
Warranty:	3 years parts and labor	
Lead Time:	2 weeks	